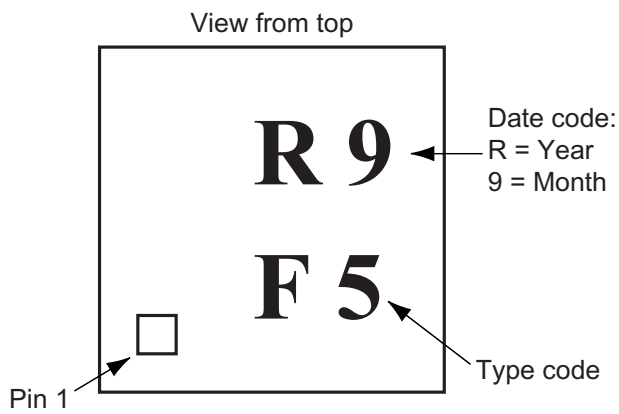
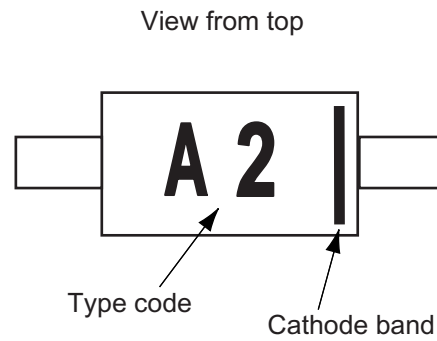


Marking of Diodes



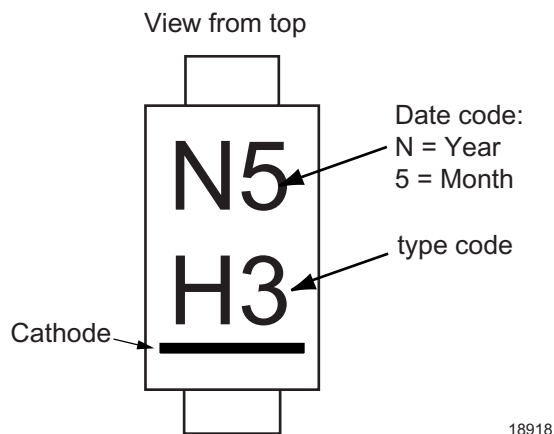
18904

Figure 1. LLP75-3A, LLP75-3B



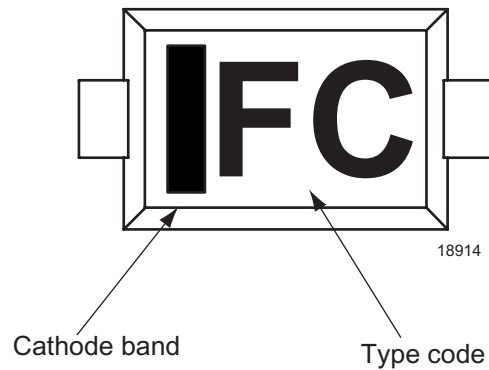
18919

Figure 4. SOD-323



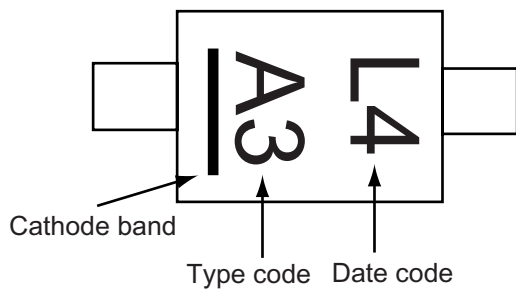
18918

Figure 2. SMF (DO-219AB)



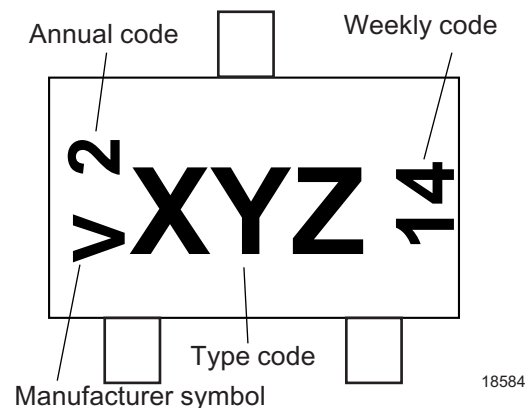
18914

Figure 5. SOD-523



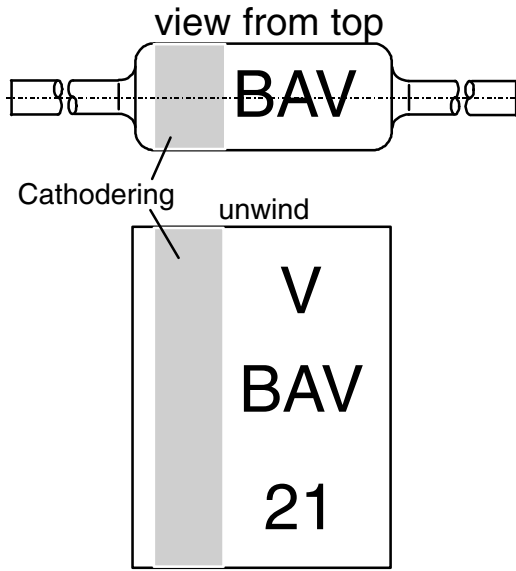
18920

Figure 3. SOD-123



18584

Figure 6. SOT-23



DO35
Type: BAV 17 ± BAV 21

18571

Figure 7. DO-35

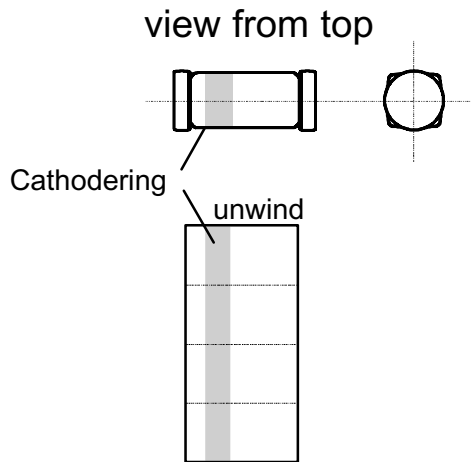
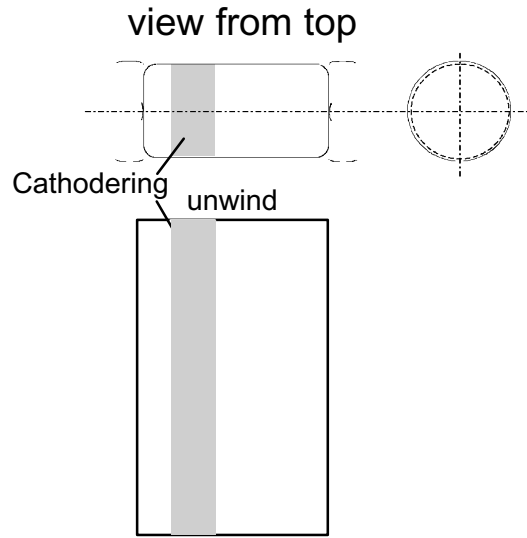


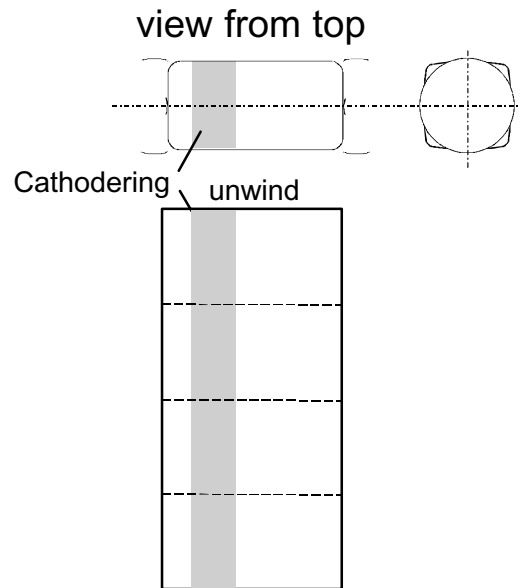
Figure 8. MicroMELF
Label with information of TYPE on reel and package

18580



18578

Figure 9. SOD-80 MiniMELF
Label with information of TYPE on reel and package



18579

Figure 10. SOD-80 QuadroMELF
Label with information of TYPE on reel and package